

Optiva® SERIES Professional Media Transport



The Optiva™ OT-CC frame is a ruggedized aluminum-housing unit that accepts any Optiva™ insert card. This high capacity 16-card or low capacity plug-in chassis provides the “state of the art” platform for density and space utilization.

A variety of Optiva cards have been developed for this platform including analog and digital video, L-band and IF-band RF, analog and digital audio, serial data, and Ethernet. Optiva cards have been developed to support both optical and daisy-chaining non-optical formats. New insert cards are being developed to satisfy additional signal formats and applications as well. Please see “Optiva Overview” for a more comprehensive coverage of the types of signal transport available with Optiva.

Features

- High capacity, 3u, 16 slot chassis provides optimal space utilization and density
- Low capacity, 1u, 4 slot chassis provides optimal space utilization and density
- Hot swappable redundant power supplies ensure increased reliability in 3u chassis only
- Unique daisy-chaining design better utilizes fiber bandwidth
- Front panel alert & status LEDs provide “at a glance” individual card status
- Flexible chassis design accepts many signal format type cards
- Chassis to card grounding eliminates electro static discharge during insertion and removal of hot swappable insert cards
- Ruggedized aluminum chassis resists shock and vibration

Models

Model	Description
OT-CC-16	3RU Chassis without power supplies
OT-CC-16-01	3RU Chassis, reversed handles, without power supplies
OT-CC-4	1RU Chassis with integrated power supply
PS200-NA (Used only for OT-CC-16 / OT-CC-16-01)	90-264 VAC at 50/60 Hz., US Power Cord
PS200-EU (Used only for OT-CC-16 / OT-CC-16-01)	90-264 VAC at 50/60 Hz., European Power Cord
PS200-UK (Used only for OT-CC-16 / OT-CC-16-01)	90-264 VAC at 50/60 Hz., United Kingdom Power Cord

Monitoring & Control

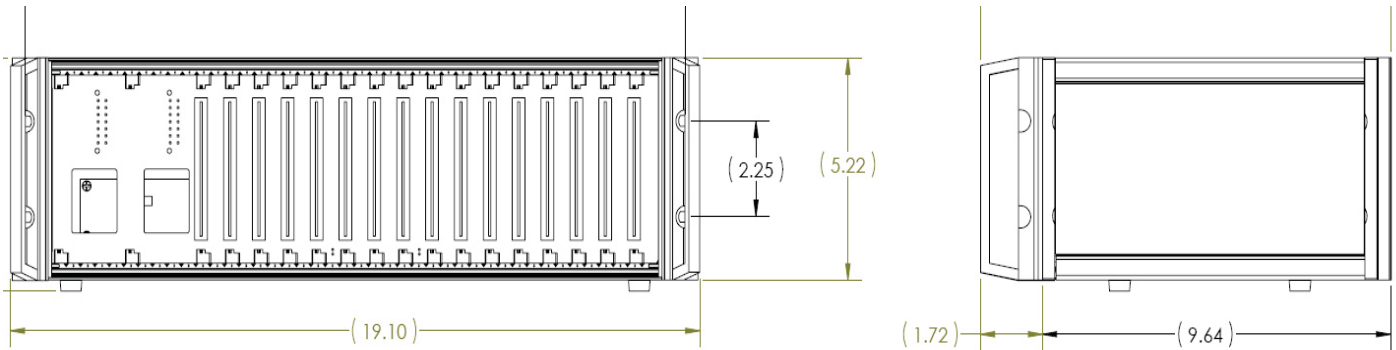
Specification	Description
Local	Front panel LED status and alert indicators
Remote	OptivaView® Remote Management Software

General

Specifications	Values
Dimensions	19" L x 7.3"W x 5.25" (3RU) H
Weight (3u Chassis)	8.6 lbs.
Weight (Power Supply)	1.4 lbs.
Weight (3u Chassis + Two Supplies)	11.4 lbs.
Dimensions	19" L x 9.63"W x 1.75" (1RU) H
Weight (1u Chassis w/ Integrated Power Supply)	8.0 lbs.
Operating Temperature	-20C to +55C
Storage Temperature	-40C to +85C
Humidity	10% to 90% (non-condensing)
Input Voltage	90 – 264VAC (per power supply, not included)
Input Frequency	50 - 60 Hz (per power supply, not included)
AC Input Load @ 120 vac	1.6 Amps
AC Input Load @ 240 vac	0.83 Amps
DC Output Load @ +12 vdc	16.5 Amps @ 25 C

Optiva® SERIES Professional Media Transport

Outline Drawing



Rev. December 21, 2010